

INTRODUCING

**AUXILIARY FUEL TANK SYSTEM
EC145 / H145**

AUXILIARY FUEL TANK SYSTEM

Consists of a foam filled flexible Fuel Cell (bladder) inside a vapour proof container made of carbon fibre composite.

The location is at the aft RH side of the cabin compartment installed on the seat rails. The location is fixed at installation. Refuelling is made from the external RH side of the helicopter. The fuel level is indicated on the Helionix display system (VMD). In normal operation mode, i.e. when the AUX TK switch is in NORM position, the fuel is automatically gravity transferred to the main tank system (main tanks and supply tanks) when the fuel level in the main tank system has dropped enough (actual Aux Tank quantity +10 liter).

PREREQUISITE:

- Installed via Airbus fixed provisions for internal long range fuel tank system
- Multi purpose fittings RH side required
- RH aft window replaced by carbon fiber Filler Panel



Fueling from outside →





AUXILIARY FUEL TANK SYSTEM IN LAYOUT

AUXILIARY FUEL TANK SYSTEM

GENERAL SPECIFICATIONS

EXTERNAL DIMENSIONS

HEIGHT: 975mm

LENGTH: 672mm

WIDTH: 343, (548 Max) mm

WEIGHTS

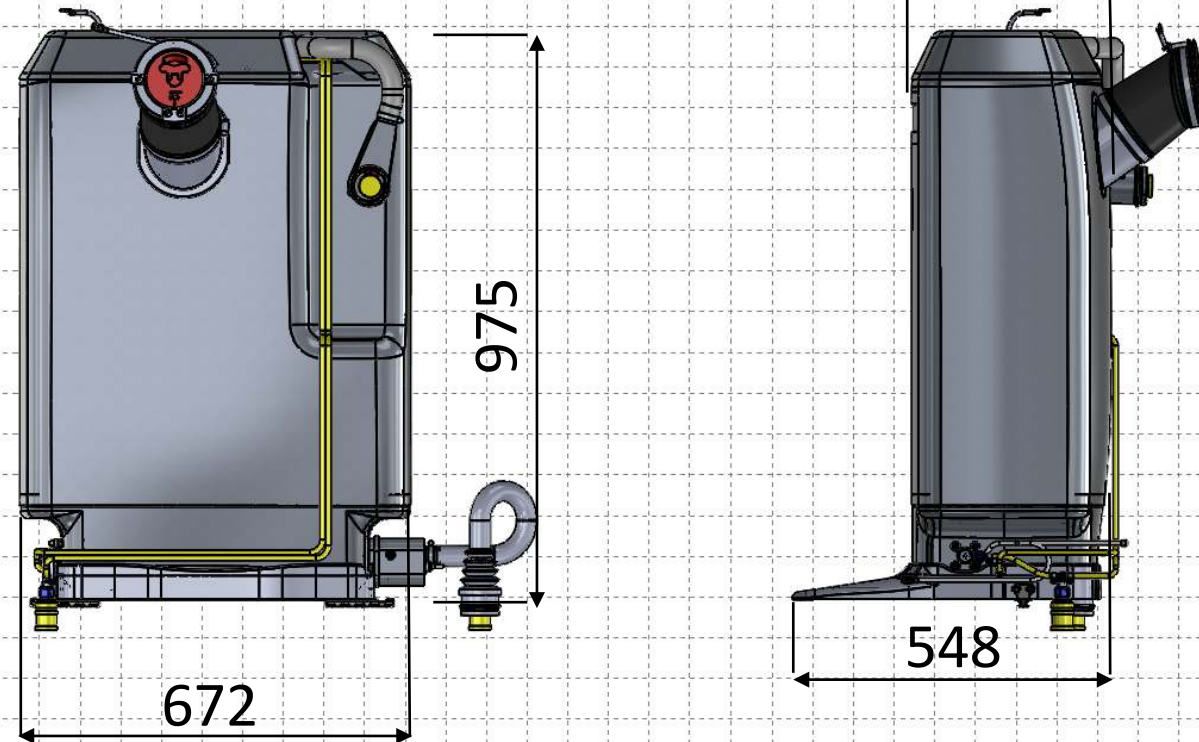
EMPTY WEIGHT: 32 kg

FEATURES:

CAPACITY: 140 liter

MATERIAL: Carbon Composite Structure

APPROVED: EASA STC



ABOUT THE COMPANY

Bromma Air Maintenance provides aviation services such as base and line maintenance, repair and overhaul services for turboprop, single and multiengine piston, jet aircraft and helicopters. In addition we offer our customers a complete “One Stop One Shop” solution with spare parts sales, a Part-21 division for design and production, aircraft sales and acquisitions via Bromma Air Sales AB, avionics via Scandinavian Avionics and a flight operations division with a fleet of two Beech King Airs.



For more information, please contact:

+46-8-566 190 30

doa@bam.aero

www.bam.aero

Bromma Air Maintenance AB Hangar
4, Bromma Airport S-168 67 Bromma
Sweden